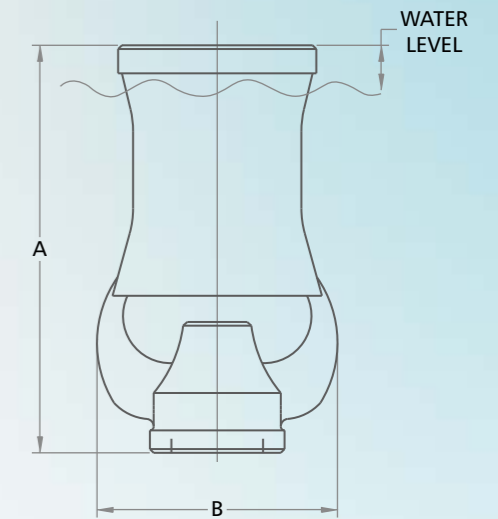


# CASCADE JET

## PF 3400 SERIES FOAM EFFECT NOZZLE

WATER LEVEL DEPENDENT



### HYDRAULIC DATA

Model No.	BSP	Dimension A (mm)	Dimension B (mm)	Water level in mm		Spray Height in Meter										
						0.50	1.00	1.50	2.00	3.00	4.00	5.00	6.00	8.00	10.00	12.00
PF 3448	½"	109	54	15	LPM	34	46									
					Head in Mtr.	2.20	3.00									
PF 3449	¾"	135	56	15	LPM	60	76	90								
					Head in Mtr.	2.20	3.00	4.50								
PF 3450	1"	157	62	15	LPM	85	100	118	131	155						
					Head in Mtr.	2.20	3.00	4.50	6.50	8.00						
PF 3451	1½"	224	88	15	LPM	93	119	140	160	215	245	285				
					Head in Mtr.	2.20	3.00	4.50	6.50	8.00	12.00	15.00				
PF 3452	2"	275	113	15	LPM	200		292	320	380	425	475	500			
					Head in Mtr.	3.00		4.50	6.50	8.00	12.00	15.00	18.00			
PF 3453	3"	370	150	15	LPM	500			575	650	750	850	950	1150	1400	1600
					Head in Mtr.	4.50			6.50	8.00	12.00	15.00	18.00	24.00	30.00	35.00

### DESIGN / APPLICATION DATA:

The Cascade nozzles produce a graceful conical shaped while display. The water level dependent aerated display is suitable for clam to light wind conditions. Exhibits excellent light reflecting properties. Because of the injection effect, the surrounding water and air are sucked in, intensively mixed and thrown high in to the air by the injector jet.

However the water pattern changes with varying water levels, when below the standard water level the jet is thinner but also higher, when above it is fuller but also lower, when the waves become stronger the fountains begin to dance. Often seen as a very interesting special effect.

Note: Return valve must be provided in installations with different water levels, otherwise when switching off the water level since to the injection height.

### SPECIFICATION DATA:

Material of construction is machined cast bronze natural finish.

### OPERATING DATA:

Noise : Good  
 Visibility : Very Good  
 Splash/Mist : Moderate  
 Wind Stability : Excellent  
 Aeration Quality : Excellent

