

# FOG JET



## DESIGN / APPLICATION DATA:

Aquascape Fog Jet is designed for low wind area. It's not to create great height, but rather large volume making it particularly suitable for architectural fountains.

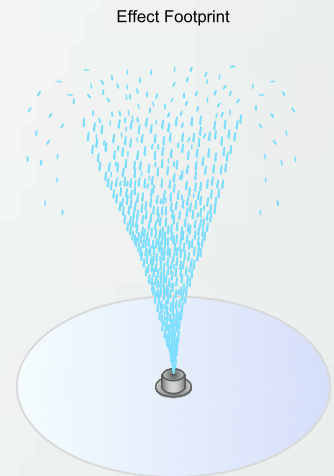
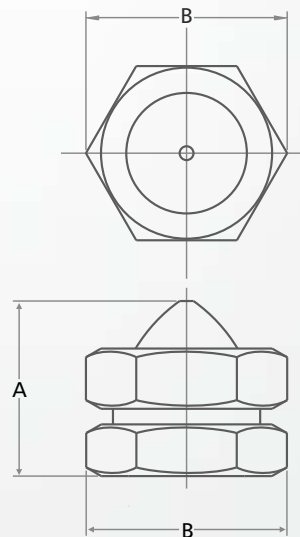
Please bear in mind that when installed in outdoor fountains, due to the small weight of the droplet, the wind can easily "overflow" the water fountain; therefore, it should not be installed in wind area.

## SPECIFICATION DATA:

Material of construction is bronze with Stainless steel cap

## OPERATING DATA:

Noise : Poor  
 Visibility : Good  
 Splash : Poor  
 Wind Stability : Poor  
 Aeration Quality : Good



## HYDRAULIC DATA

Model No.	BSP	Orifice in mm	Dimension A (mm)	Dimension B (mm)		Spray Height in Meter			
						0.50	1.00	1.50	2.00
PF 0105	3/8"	2.75	35	35	LPM	4.40	5.70	7.50	9.60
					Head in Mtr.	1.80	3.50	5.00	6.00