

DANDELION (HEMISPHERE)

PF 6400 SERIES SPHERE EFFECT NOZZLES

DESIGN / APPLICATION DATA:

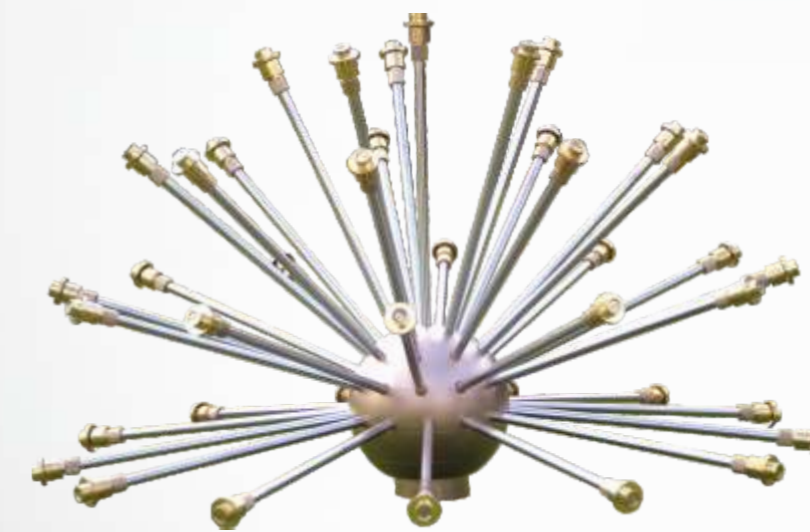
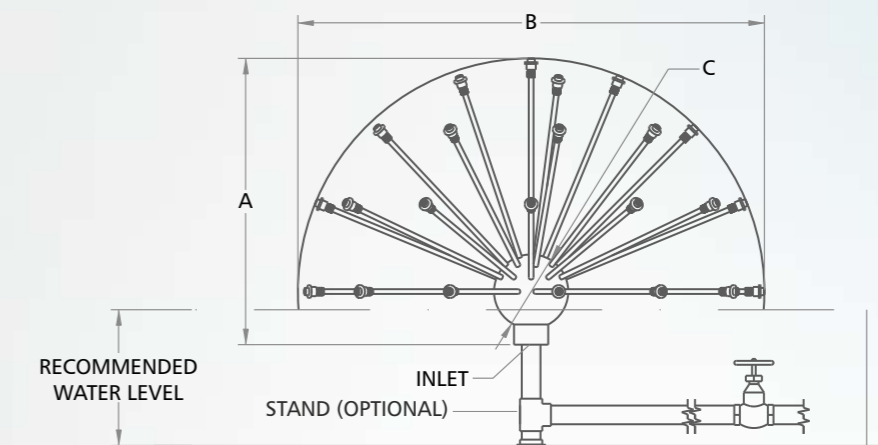
The Dandelion Hemisphere effect is created by multiple discs of water at the radiating from a center manifold. These effects produce a fine spray that results evaporation cooling in the area of the effect. When not in use as a water feature, the dandelion hemisphere appears sculpture ideal for mall and garden area.

SPECIFICATION DATA:

Material of construction is cast bronze and precision machined brass
Nozzles are easily cleaned individually adjustable (for water thickness) and removable.

OPERATING DATA:

- Noise : Good
- Visibility : Excellent
- Splash/Mist : Excellent
- Wind Stability : Poor
- Aeration Quality : Good



HYDRAULIC DATA

Model No.	BSP	Dimension A in mm	Dimension B Sphere O.D. in Mtr.	Dimension C Hub Dia in mm	Nos of Arms	LPM	Head in Meter
PF 6442	2½"	640	1.00	200	40	450	5.00
PF 6444	2½"	790	1.20	200	40	450	5.00
PF 6446	4"	1095	2.00	250	70	770	7.00

