



DANDELION (SPHERE)

PF 6400 SERIES SPHERE EFFECT NOZZLE

DESIGN / APPLICATION DATA:

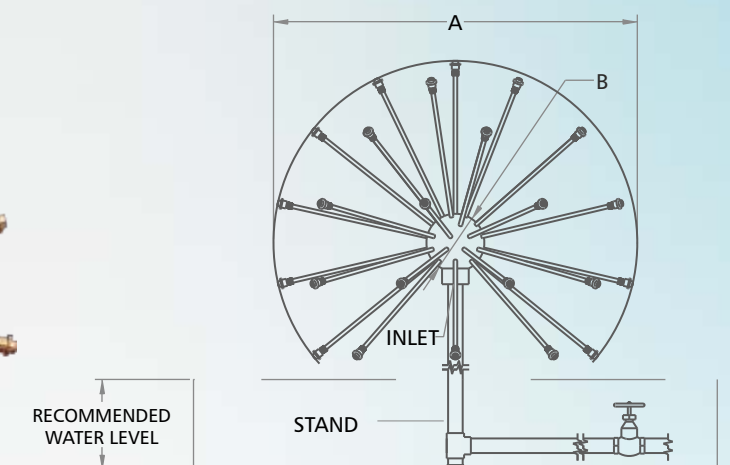
The Dandelion Sphere effect is created by multiple discs of water at the radiating from a center manifold. These effects produce a fine spray that results evaporation cooling in the area of the effect. When not in use as a water feature, the dandelion sphere appears sculpture ideal for mall and garden area.

SPECIFICATION DATA:

Material of construction is cast bronze and precision machined brass
Nozzles are easily cleaned individually adjustable (for water thickness) and removable.

OPERATING DATA:

Noise : Good
 Visibility : Excellent
 Splash/Mist : Excellent
 Wind Stability : Poor
 Aeration Quality : Good



HYDRAULIC DATA

Model No.	BSP	Dimension A in Mtr.	Dimension B Hub Dia in mm	Nos of Arms	LPM	Head in Meter
PF 6441	2.½"	1.00	200	40	450	5.00
PF 6443	2.½"	1.20	200	40	500	5.00
PF 6445	4"	2.00	250	110	1500	7.00



Aquascape™