

BELL

PF 1300 SERIES WATER FILM NOZZLES

DESIGN / APPLICATION DATA:

A clear of water in the shade of a bell. Minimum sound or splash. For silence wind free locations in small and medium sized displays. Ideal in grouping of various heights. No constant water level required. Water supply must be non troubled.

SPECIFICATION DATA:

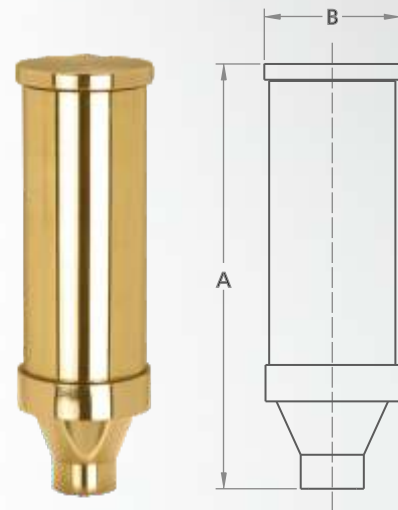
Material of construction is brass with adjustable top.

Note : (for Optimum Effects)

- Requires non-turbulent water supply.
- Requires fine screening at pump.
- Ideal for indoor fountain use.

OPERATING DATA:

Sound level : Good
Visibility : Good
Splash : Low
Wind Stability : Poor
Aeration Quality : Poor



HYDRAULIC DATA

Model No.	BSP	Dimension A (mm)	Dimension B (mm)		Spray diameter in cm			
					15	30	45	60
PF 1301	½"	179	56	LPM	16	24		
				Head in Meter	0.70	1.00		
PF 1302	1"	360	56	LPM	16	24	30	34
				Head in Meter	0.70	1.00	1.30	1.60

