



PF 9000 SERIES SPRAY RINGS

DESIGN / APPLICATION DATA:

The Spray Ring fountains offer a variety of effects depending on nozzle selection, quantity of nozzles, spray height and angle of throw desired.

Spray rings are constructed of stainless steel in a variety of diameter and orifice sizes. Adjustable brass smooth stream nozzles develop uniform circular spray pattern.

Lighting: Lighting for night time viewing of the Spray Ring fountain is very effective, typically because of the close proximity of nozzle spacing on the ring. Quantities and wattage of lights will be greatly dependent on nozzle selection and spacing.

Noise: Because of the quantity of nozzles, the standard Spray Ring fountain produces a pleasant and consistent background noise for ponds ranging from small to large. Again, nozzle type and quantity selection will determine the audible levels of the fountain. When making a nozzle selection for the spray ring, our technical assistant will help you to determine the best fit for your particular lake or pond taking in to account size of pond, water quality, lighting effects and general aesthetics you wish to achieve.

SPECIFICATION DATA:

Material of construction is Stainless steel

Notes

- Specify : Dome center Drop, Inside Drop, Outside drop, Vertical Pattern.
- Nozzle angle can be adjusted after installation.
- Provide basket strainer or 'Y' type strainer for nozzle orifice protection.

OPERATING DATA:

Noise : Good
 Visibility : Excellent
 Splash/ Mist : Good
 Wind Stability : Good
 Aeration Quality : Good



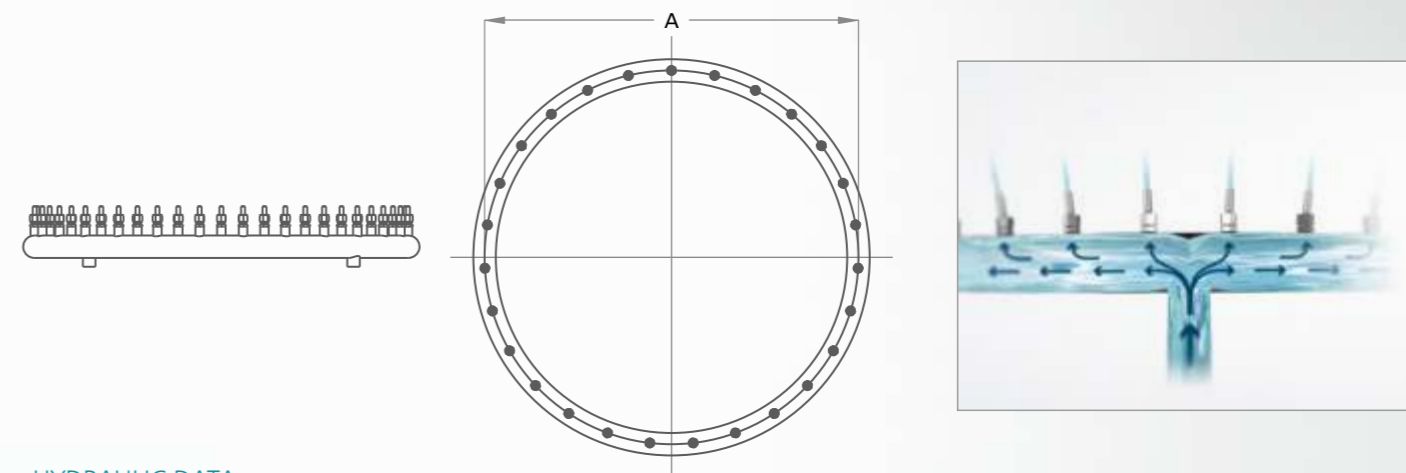
Outside Drop



Inside Drop



Straight Jet



HYDRAULIC DATA

Model No.	Dia Mtr. in mm (A)	Type of Nozzles	Jet orifice In mm	Quantity of nozzle		Spray Height in Meter						
						0.5	1.0	1.5	2.0	2.5	3.0	4.0
PF 9012	300	PF 1010	4.75	12	LPM	68	95	104	117	140	180	225
					Head in Mtr	1.82	3.04	3.65	4.87	5.60	5.90	6.00
PF 9018	450	PF 1010	4.75	18	LPM	102	143	156	176	210	270	330
					Head in Mtr	1.82	3.04	3.65	4.87	5.60	5.90	6.00
PF 9024	600	PF 1010	4.75	24	LPM	136	190	208	235	280	360	440
					Head in Mtr	1.82	3.04	3.65	4.87	5.60	5.90	6.00
PF 9030	750	PF 1010	4.75	22	LPM	136	190	208	235	280	360	440
					Head in Mtr	1.82	3.04	3.65	4.87	5.60	5.90	6.00
PF 9036	900	PF 1010	4.75	27	LPM	153	214	234	265	316	405	495
					Head in Mtr	1.82	3.04	3.65	4.87	5.60	5.90	6.00
PF 9048	1200	PF 1010	4.75	36	LPM	204	286	313	353	421	540	660
					Head in Mtr	1.82	3.04	3.65	4.87	5.60	5.90	6.00
PF 9060	1500	PF 1011	6.35	45	LPM	476	578	680	850	1020	1035	1095
					Head in Mtr	1.82	3.04	3.65	4.87	5.60	5.90	6.00
PF 9072	1800	PF 1011	6.35	54	LPM	571	693	816	1020	1224	1428	1700
					Head in Mtr	1.82	3.04	3.65	4.87	5.60	5.90	6.00
PF 9096	2400	PF 1011	6.35	72	LPM	761	925	1088	1360	1632	1728	1850
					Head in Mtr	1.82	3.04	3.65	4.87	5.60	5.90	6.00
PF 9120	3000	PF 1011	6.35	90	LPM	952	1156	1360	1701	2041	2160	2350
					Head in Mtr	1.82	3.04	3.65	4.87	5.60	5.90	6.00